

ANIX®

中国·埃尼斯阀门集团

CHINA · ANIX VALVE GROUP
ANIX VALVE USA

地址：温州经济技术开发区滨海园区22路422号埃尼斯工业园
电话：0577-86936277 86930277
传真：0577-86936988
邮编：325024

Add: No. 422, Road 22, Binhai Park (ANIX Industrial),
Wenzhou Technological Development Zone
Tel: 86-577-86936277 86930277
Fax: 86-577-86936988
Post: 325024

如需更多资讯，请访问
www.CHINAanix.com
www.anixvalve.com
E-mail: anix@ainisi.com

本手册受版权法保护，未经版权法明确许可的任何使用均须事先获得埃尼斯批准。
所有数据和技术信息均经过仔细编写，但我们不能保证其完全正确无误，
个别插图和信息可能与实际交付的产品有所不符。
相关的有效技术说明适用于产品的安装和操作。



ANIX®

Products applicable to petroleum, chemical, natural gas, light industry, electric power,
pharmaceuticals, dyes, metallurgy, fiber, leather, textile,
food, military, construction, refrigeration, water supply and other industries.



闸阀、截止阀、止回阀
Gate valve、Globe valve、Check valve

中国·埃尼斯阀门集团

CHINA · ANIX VALVE GROUP
ANIX VALVE USA

ANIX[®]

国家高新技术企业 · 浙江省著名商标

Elaborate Manufacturing, Reputation Foremost

匠心智造 品信为本

—— 创建于 · 1988 ——

中石化全球供应商 / 中石油能源一号网供应商 / 中海油集团网络供应商 / 江西铜业集团合格供应商
宝洁(中国)合格供应商 / 中粮集团合格供应商 / 三星电子合格供应商 / 中国中车集团合格供应商 / 中电工程合格供应商
高澜节能技术股份合格供应商 / 新华医疗股份合格供应商 / 联邦制药股份合格供应商 / 富士康科技集团合格供应商
中联重科集团合格供应商 / 金霸王集团合格供应商 / 新奥燃气集团合格供应商 / 野村控股合格供应商

公司简介

Company Profile

中国·埃尼斯阀门集团创办于1988年，注册资金2.68亿。旗下有浙江埃尼斯阀门科技有限公司、上海埃尼斯阀门有限公司等5家企业，占地面积共50亩33300平方米，建筑面积40000平方米，坐落于市经济技术开发区，滨海园区二十二路422号。

公司系国家高新技术企业，浙江省著名商标、浙江省AAA级“守合同重信用”单位、市名牌产品、市出口名牌产品、市专利示范企业，取得国家特种设备制造许可证(TS)、自营进出口权、ISO质量管理体系认证、美国API、NSF、欧盟CE、球阀防火认证、韩国KC、KS、测量管理体系AAA级认证、安全生产标准化企业、市泵阀协会及龙湾阀门协会副会长单位。

现有进口和国产精加工设备和检测设备200多台。公司集研发、设计、制造和经营不锈钢、碳钢、钛等材质的各种阀门、成套设备、管配件系列。产品覆盖有手动、电动、气动装置的各种法兰连接、内螺纹连接、焊接、对夹、卡式连接的各种球阀、截止阀、止回阀、过滤器、闸阀、蝶阀、管配件、水暖器材等产品。

广泛应用于石油、化工、天然气、电力、冶金、轻工、电子、染料、纤维、制革、纺织、军工、新能源、水处理、锂电池、建筑工程、制冷、制药、食品、生物、供水等行业。

企业自创办以来，产品畅销国内，远销欧美、东南亚、中东，等国家和地区。可靠的质量保证体系和公司训练有素的员工队伍，为您购买的ANIX系列产品提供完善的质量保证体系及优质的售后服务。

企业遵循“结合人才、健全制度、确保安全、铸就精品、诚信服务、争创一流”的经营理念，以市场为导向，竭诚为广大客户提供优质的产品和服务。

China·Anix Valve Group Co., Ltd. Was founded in 1988 with a registered capital of RMB 268 million, taking a land of 50 Mu (33000m²). It has five enterprises including Zhejiang Anix Valve Technology Co., Ltd. And Shanghai ANIX valve Co., Ltd. Located in Wenzhou Economic and Technological Development Zone, No.422, No.22Road, Binhai Park.

ANIX is a national high-tech enterprise and renowned trademark with AAA certification in Zhejiang for its integrity in delivering of services and products with high recognition of Zhejiang renowned Trademark, Wenzhou renowned Brand for domestic and export. The Company has obtained national import and export license, Special Equipment Manufacturing License (TS), ISO quality management system certification, USA API, NSF and European Union CE certification, Ball valve Firesafe certification, Korea KC and KC certification, Testing and measurement management standardization AAA certification, safe production standardization enterprise, has been selected as vice president company of Wenzhou Pump valve Association and Longwan Valve Association.

Now we have more than 200 sets of imported and homemade fine machining equipment and testing equipment. The company focuses on researching, designing, manufacturing and operating various valves. Complete sets of equipment and pipe fittings made of stainless steel, carbon steel, duplex, titanium, nickel, cobalt and other materials. The products include various ball valves, Gate valve, globe valves, check valves, strainers, gate valves and butterfly valves equipped with manual, electric or pneumatic actuators with different types of connection such as flange connection, female thread connection, welding connection, wafer connection and clamp connection, as well as pipe fittings, plumbing and heating equipment, etc.

The products are widely applied in petroleum, chemical industry, natural gas, electric power, metallurgy, light industry, electronics, dyeing, fiber, leather, textile, military, new energy, water treatment, lithium battery, construction, refrigeration, pharmacy, biology, food, water supply and other industries.

Since the establishment of our company, our products have been sold well in China and exported far to Europe, USA, Southeast Asia, Mid East and other countries and regions. With reliable quality assurance system and well-trained personnel, we provide you with perfect quality guarantee and high quality after-sales service for the ANIX products you have purchased.

Our company always follows the business philosophy of "fostering talents, improving system, ensuring safety, creating fine products, providing sincere service, and striving to be the best." Guided by the market, we offer high quality products and services to users.

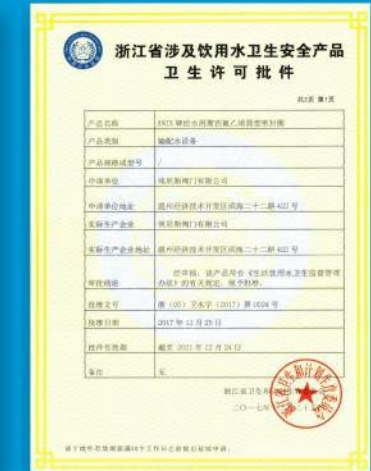
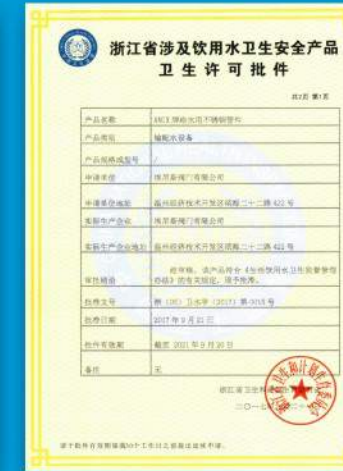
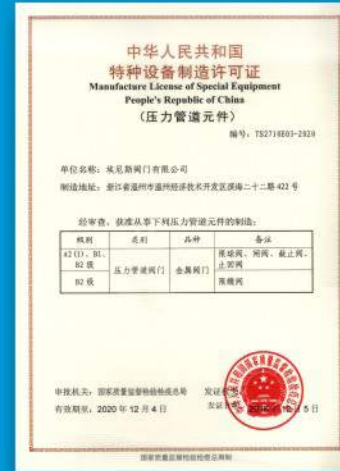


企业资质

Enterprise Qualification

公司已通过ISO9001:2000质量体系认证。完善的质量保证体系，可以保证整个设计、制造过程受到监督和控制。品质体现我们的尊严，出类拔萃的品质拒绝平庸，一丝不苟，千锤百炼，标准化的管理体系和系统化的品质保证体系让埃尼斯品质在世界的每个角落都畅通无阻，埃尼斯阀门通过与合作者们卓有成效的努力，正促使“埃尼斯阀门”成为世界上无可挑剔的品质。

The company has been certified to ISO 9001:2000. The complete quality assurance system enables the whole design and manufacturing process to be monitored and controlled. The quality shows our character and the brilliant quality rejects the mediocrity. Meticulously and highly finished. With standardized management system and systematic quality assurance system, the product quality of ANIX has received the reliance of customers all over the world. Though the effective efforts with cooperators, we are promoting the quality of our ANIX products to be the most impeccable in the world.



精益生产

Lean Manufacturing

埃尼斯严格的生产程序，有效的工作效率是取胜于一切的必要基础。基于此，我们不惜投入大量资金引进现代化的生产设备、建设现代化车间，规范了生产程序，使每个员工都能按科学的生产程序生产，使我们的生产程序能得到最大可能的优化，满足日益发展的企业需要，从而在生产中杜绝了浪费，加快了速度，提高了品质，最终赢得了市场。

Our strict production procedure and effective working efficiency are vital bases to success. Based on this, we have made a huge investment in introducing modern production equipment, building modern workshops and standardizing production procedure, so that every worker is able to work following the scientific production procedure, our production procedure is optimized as much as possible, the increasing demands of our enterprise are met, and the waste in production is avoided. Production speed and quality have been improved, and finally, we have won the market.



检测设备

Test Equipment

我们希望通过我们完善的设计、制造和售后服务确保每一台产品在有效使用期内充分发挥各项性能指标。我们拥有全球先进的技术、研发、设计以及完善的检验设施，客户的各项诚信服务，视为我们对用户的承诺。我们拥有世界先进的生产装备，运用崭新的工业概念及强大的技术力量，生产出符合国际标准的高品质终极产品。

We will make sure that all machines can exert their performances in effective life by our perfect design, manufacture and service. we make up our minds to have global advanced technology, R&D, design and perfect inspection facilities. Also make promise to users by credible service. We own world advanced production equipment and produce high-quality final products of international standard with brand new industrial concept and strong technical forces.



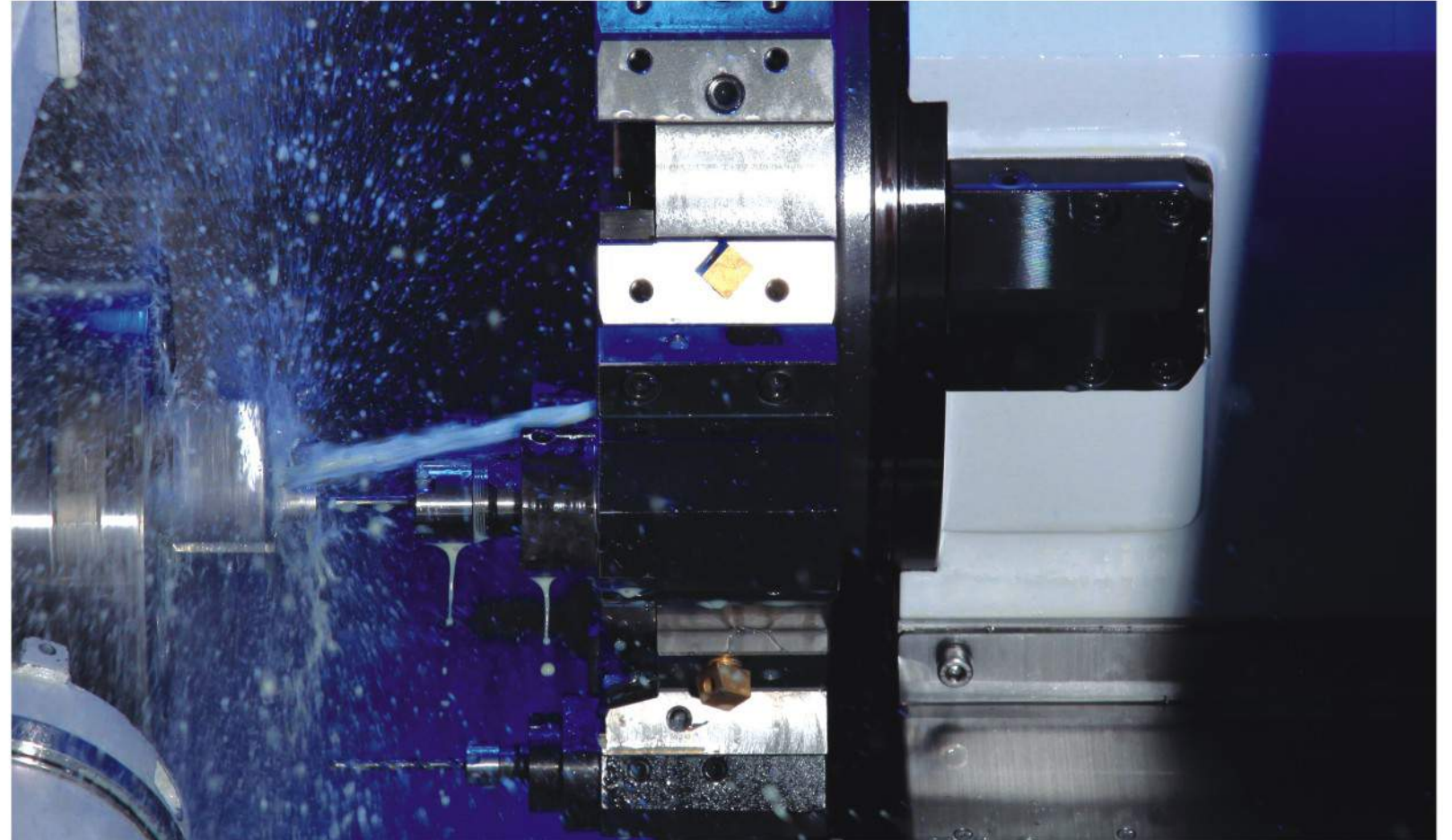
光谱分析 Spectral Analysis



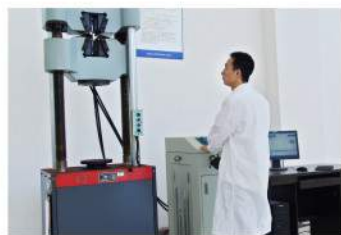
寿命试验 Life Test



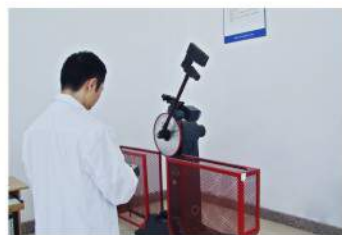
圆度测试 Circularity test



耐温试验 Temperature test



拉伸试验 Tensile Test



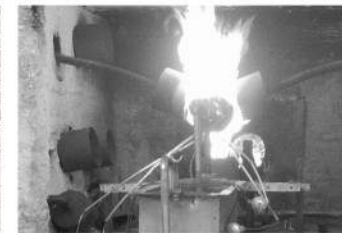
冲击实验 Impact test



尺寸测量 Size test



壁厚测试 Wall thickness test



防火试验 Fire Test



螺丝检验 Thread Inspection



压力试验 Pressure Test

目录

Contents

- 11 | 闸阀、截止阀、止回阀型号编制说明
Gate Valve, Globe Valve, Check Valve
Model Designation Method
- 12 | 铸钢闸阀
Cast Steel Gate Valve
- 18 | 锻钢闸阀
Forged Steel Gate Valve
- 19 | 平板闸阀
Slap Gate Valve
- 20 | 手动/气动刀闸阀
Manual/Pneumatic Knife Gate Valve
- 21 | 铸钢截止阀
Cast Steel Globe Valve
- 24 | 锻钢截止阀
Forged Steel Globe Valve
- 25 | 波纹管截止阀
Bellow Sealed Globe Valve
- 26 | 抗生素截止阀
Antibiotics Globe Valve
- 27 | 铸钢止回阀
Cast Steel Check Valve
- 30 | 锻钢止回阀
Forged Steel Check Valve
- 31 | 消声止回阀
Silent Check Valve
- 32 | 对夹止回阀
Wafer Type Check Valve



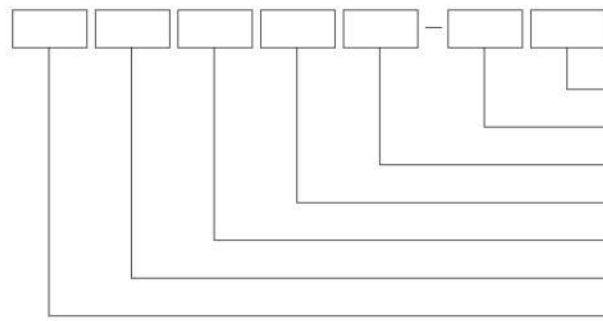
CHINA · ANIX VALVE GROUP CO., LTD.

闸阀、截止阀、止回阀型号编制说明

Gate Valve, Globe Valve, Check Valve
Model Designation Method

型号编制

Model designation



- 阀体材料代号 Material code
- 公称压力代号 Pressure code
- 密封面材料代号 Sealing materials code
- 结构形式代号 Structural code
- 连接端形式代号 Connecting manner code
- 驱动方式代号 Driving type code
- 阀门类型代号 Valve type code

阀门的类型代号 Valve type code

类型	type	代号 Code
闸阀	Gate valve	Z
截止阀	Globe valve	J
止回阀	Check valve	H

驱动方式代号 Driving type code

类型	type	代号 Code
电动	Electric driving	9
气动	Air motor driving	6
锥齿轮/伞齿轮	Gear driving	5
手动	Manual	

连接端形式代号 Connecting manner code

类型	type	代号 Code
法兰	Flanged ends	4
对夹	Wafer type	7

结构形式代号 Structural code

类型	type	代号 Code	
闸阀	楔式弹性闸板(明杆)	Wedge flexibe gate disc(rising stem)	0
	楔式单闸板(明杆)	Wedge single gate(rising stem)	1
	楔式单闸板(暗杆)	Wedge single gate(non-rising stem)	5
截止阀	直通式	Through way type	1
	立式	Vertical type	2
止回阀	单瓣旋启式	Single plate swing type	4
	双瓣旋启式	Dual plate swing type	6

注: 1.部分不常用的代号未列出, 可参考GB/T 32808-2016 阀门型号编制方法。

Note: 1. Some uncommon codes are not listed, please refer to GB/T 32808-2016.

铸钢闸阀

Cast Steel Gate Valve

产品结构特征

闸阀是最常用的截断阀之一, 主要用来接通或截断管路中的介质。它适用的压力、温度及口径范围均很大, 尤其适用于中大口径的管道, 广泛应用于介质为蒸汽、水、油品的给排水、燃气、电力、石油、化工、冶金等工业管道中介质的切断或调节。

其主要结构特点有

1. 流体阻力小。
2. 启闭较省力。
3. 介质流动方向不受限制, 安装方便。
4. 产品结构合理、密封可靠、性能优良、造型美观。

主要零件材质

Form of major parts materials

零件名称 Part name	阀体、阀盖、闸板 Body, cover, gate	密封 Sealing	阀杆 Stem	填料 packing	螺栓/螺母 Bolt/nut
碳素钢 Carbon steel	WCB	13Cr、STL	Cr13系	柔性石墨 Flexible graphite	35CrMoA/45
奥氏体不锈钢 Austenitic stainless steel	CF8(304)、CF8M(316) CF3(304L)、CF3M(316L)	本体材料、STL Body material、STL	304、316、 304L、316L	柔性石墨、PTFE Flexible graphite, PTFE	304/304 316/316
合金钢 Alloy steel	WC6、WC9、 1Cr5Mo、15CrMo	STL	25Cr2Mo1V	柔性石墨 Flexible graphite	25Cr2Mo1V/35CrMoA
双相钢 Dual phase steel	F51、00Cr22Ni5Mo3N	本体材料、STL Body material、STL	00Cr22Ni5Mo3N	柔性石墨、PTFE Flexible graphite, PTFE	316/316
低温钢 Low temperature steel	LCB、LF2、16Mn	STL	1Cr17Ni2、304	柔性石墨 Flexible graphite	42CrMoA/20CrMoA
钛 Titanium	ZTA1、ZTA2、ZTA10、 Gr2、Gr3	本体材料 Body material	TA1、TA2、TA10、 Gr2、Gr3、TC4	柔性石墨、PTFE Flexible graphite, PTFE	304/304 316/316
镍 Nickel	哈氏合金 Hastelloy	本体材料 Body material	哈氏合金 Hastelloy	柔性石墨、PTFE Flexible graphite, PTFE	304/304 316/316

Products design features

Gate valve is one of the most commonly used cut-off valves, it's mainly used to connect and disconnect media in pipe. The range of suitable pressure, temperature and caliber is very wide. It is widely used in water supply and drainage, gas, electric power, petroleum, chemical industry, metallurgy and other industrial pipeline which media is steam, water, oil to cut off or adjust the flow of media.

Main structural features

1. Fluid resistance is small.
2. It is more labor-saving when opening and closing.
3. The flow direction is generally unrestricted, Easy to install.
4. Rational structure, reliable sealing, excellent performance, pretty appearance.

国标、德标闸阀

GB、DIN Gate Valve

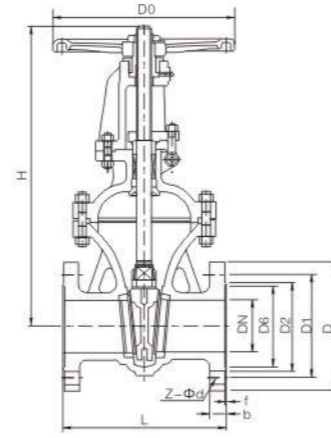
- 材质: 不锈钢、碳钢、高温钢、双相钢、特殊钢、钛、镍、锆等
- 国际标准 +



主要尺寸及重量
Main size and weight

PN16

DN	L	D		D1	D2	f	b		z-φd		H	D0
		JB/T 79	HG/T 20592				JB/T 79	HG/T 20592	JB/T 79	HG/T 20592		
15	130	95	95	65	45	2	14	16	4-φ14	4-φ14	185	120
20	150	105	105	75	55	2	14	18	4-φ14	4-φ14	200	120
25	160	115	115	85	65	2	14	18	4-φ14	4-φ14	225	140
32	180	135	140	100	78	2	16	18	4-φ18	4-φ18	275	160
40	200	145	150	110	85	3	16	18	4-φ18	4-φ18	290	160
50	250	160	165	125	100	3	16	18	4-φ18	4-φ18	345	200
65	270	180	185	145	120	3	18	18	4-φ18	8-φ18	360	220
80	280	195	200	160	135	3	20	20	8-φ18	8-φ18	380	240
100	300	215	220	180	155	3	20	20	8-φ18	8-φ18	430	280
125	325	245	250	210	185	3	22	22	8-φ18	8-φ18	520	300
150	350	280	285	240	210	3	24	22	8-φ23	8-φ22	600	320
200	400	335	340	295	265	3	26	24	12-φ23	12-φ22	765	400
250	450	405	405	355	320	3	30	26	12-φ25	12-φ26	930	450
300	500	460	460	410	375	4	30	28	12-φ25	12-φ26	1080	500
350	550	520	520	470	435	4	34	30	16-φ25	16-φ26	1200	500
400	600	580	580	525	485	4	36	32	16-φ30	16-φ30	1400	550
450	650	640	640	585	545	4	40	40	20-φ30	20-φ30	1500	600
500	700	705	715	650	608	4	44	44	20-φ34	20-φ33	1630	650
600	800	840	840	770	718	4	48	54	20-φ41	20-φ36	1830	700
700	900	910	910	840	788	5	50	42	24-φ41	24-φ36	1930	750



设计制造标准
Design & Manufacture Standard

- 设计与制造标准: GB/T 12234、DIN 3352
- 结构长度标准: GB/T 12221、DIN3202
- 连接法兰标准: JB/T 79、DIN 2543
- 检验与试验标准: GB/T 26480、DIN 3230
- Design and Manufacturing: GB/T 12234、DIN 3352
- Face-to-Face: GB/T 12221、DIN3202
- End flange: JB/T 79、DIN 2543
- Inspection and testing: GB/T 26480、DIN 3230

性能规范
Specifications

- 公称压力: 1.6, 2.5, 4.0, 6.3Mpa
- 强度试验: 2.4, 3.8, 6.0, 9.5Mpa
- 密封试验: 1.8, 2.8, 4.4, 7.0Mpa
- 气密封试验: 0.6Mpa
- 阀门主体材料: WCB(C), CF8(P), CF3(PL), CF8M(R), CF3M(RL)
- 适用介质: 水、蒸汽、油品、硝酸类, 醋酸类
- 适用温度: -29℃ ~ 425℃
- Nominal pressure: 1.6, 2.5, 4.0, 6.3Mpa
- Strength test: 2.4, 3.8, 6.0, 9.5Mpa
- Seal test: 1.8, 2.8, 4.4, 7.0Mpa
- Gas seal test: 0.6Mpa
- Valve body material: WCB(C), CF8(P), CF3(PL), CF8M(R), CF3M(RL)
- Suitable medium: water, steam, oil products, nitric acid, acetic acid
- Suitable temperature: -29℃ ~ 425℃

国标、德标闸阀

GB、DIN Gate Valve

主要尺寸及重量
Main size and weight

PN25

DN	L	D		D1	D2	f	b		z-φd	
		JB/T 79	HG/T 20592				JB/T 79	HG/T 20592	JB/T 79	HG/T 20592
15	130	95	95	65	45	2	16	16	4-φ14	4-φ14
20	150	105	105	75	55	2	16	18	4-φ14	4-φ14
25	160	115	115	85	65	2	16	18	4-φ14	4-φ14
32	180	135	140	100	78	2	18	18	4-φ18	4-φ18
40	200	145	150	110	85	3	18	18	4-φ18	4-φ18
50	250	160	165	125	100	3	20	20	4-φ18	4-φ18
65	270	180	185	145	120	3	22	22	8-φ18	8-φ18
80	280	195	200	160	135	3	22	24	8-φ18	8-φ18
100	300	230	235	190	160	3	24	24	8-φ23	8-φ22
125	325	270	270	220	188	3	28	26	8-φ25	8-φ26
150	350	300	300	250	218	3	30	28	8-φ25	8-φ26
200	400	360	360	310	278	3	34	30	12-φ25	12-φ26
250	450	425	425	370	332	3	36	32	12-φ30	12-φ30
300	500	485	485	430	390	4	40	34	16-φ30	16-φ30
350	550	550	555	490	448	4	44	38	16-φ34	16-φ33
400	600	610	620	550	505	4	48	40	16-φ34	16-φ36
450	650	660	670	600	555	4	50	46	20-φ34	20-φ36
500	700	730	730	660	610	4	52	48	20-φ41	20-φ36
600	800	840	845	770	718	5	56	58	20-φ41	20-φ39
700	900	955	960	875	815	5	60	50	24-φ48	24-φ42

PN40

DN	L	D		D1	D2	f	b		z-φd	
		JB/T 79	HG/T 20592				JB/T 79	HG/T 20592		
15	170	95	95	65	45	2	16	16	4-φ14	4-φ14
20	190	105	105	75	55	2	16	18	4-φ14	4-φ14
25	210	115	115	85	65	2	16	18	4-φ14	4-φ14
32	230	135	140	100	78	2	18	18	4-φ18	4-φ18
40	240	145	150	110	85	3	18	18	4-φ18	4-φ18
50	250	160	165	125	100	3	20	20	4-φ18	4-φ18
65	280	180	185	145	120	3	22	22	8-φ18	8-φ18
80	310	195	200	160	135	3	22	24	8-φ18	8-φ18
100	350	230	235	190	160	3	24	24	8-φ23	8-φ22
125	400	270	270	220	188	3	28	26	8-φ25	8-φ26
150	450	300	300	250	218	3	30	28	8-φ25	8-φ26
200	550	375	375	320	282	3	38	34	12-φ30	12-φ30
250	650	445	450	385	345	3	42	38	12-φ34	12-φ33
300	750	510	515	450	408	4	46	42	16-φ34	16-φ33
350	850	570	580	510	465	4	52	46	16-φ34	16-φ36
400	950	655	660	585	535	4	58	50	16-φ41	16-φ39
450	1050	680	685	610	560	4	60	57	20-φ41	20-φ39
500	1150	755	755	670	612	4	62	57	20-φ48	20-φ42
600	1350	890	890	795	730	5	62	72	20-φ54	20-φ48

国标、德标闸阀

GB、DIN Gate Valve

PN63

DN	L	D		D1	D2	f	b		z-φd	
		JB/T 79	HG/T 20592				JB/T 79	HG/T 20592	JB/T 79	HG/T 20592
15	170	105	105	75	55	2	18	20	4-φ14	4-φ14
20	190	125	130	90	68	2	20	22	4-φ18	4-φ18
25	210	135	140	100	78	2	22	24	4-φ18	4-φ18
32	230	150	155	110	82	2	24	26	4-φ23	4-φ22
40	240	165	170	125	95	3	24	28	4-φ23	4-φ22
50	250	175	180	135	105	3	26	26	4-φ23	4-φ22
65	280	200	205	160	130	3	28	26	8-φ23	8-φ22
80	310	210	215	170	140	3	30	28	8-φ23	8-φ22
100	350	250	250	200	168	3	32	30	8-φ25	8-φ26
125	400	295	295	240	202	3	36	34	8-φ30	8-φ30
150	450	340	345	280	240	3	38	36	8-φ34	8-φ33
200	550	405	415	345	300	3	44	42	12-φ34	12-φ36
250	650	470	470	400	352	3	48	46	12-φ41	12-φ36
300	750	530	530	460	412	4	54	52	16-φ41	16-φ36
350	850	595	600	525	475	4	60	56	16-φ41	16-φ39
400	950	670	670	585	525	4	66	60	16-φ48	16-φ42

PN100

DN	L	D		D1	D2	f	b		z-φd	
		JB/T 79	HG/T 20592				JB/T 79	HG/T 20592	JB/T 79	HG/T 20592
15	170	105	105	75	55	2	20	20	4-φ14	4-φ14
20	190	125	130	90	68	2	22	22	4-φ18	4-φ18
25	210	135	140	100	78	2	24	24	4-φ18	4-φ18
32	230	150	155	110	82	2	24	26	4-φ23	4-φ22
40	240	165	170	125	95	3	26	28	4-φ23	4-φ22
50	250	195	195	145	112	3	28	30	4-φ25	4-φ26
65	280	220	220	170	138	3	32	34	8-φ25	8-φ26
80	310	230	230	180	148	3	34	36	8-φ25	8-φ26
100	350	265	265	210	172	3	38	40	8-φ30	8-φ30
125	400	310	315	250	210	3	42	40	8-φ34	8-φ33
150	450	350	355	290	250	3	46	44	12-φ34	12-φ33
200	550	430	430	360	312	3	54	52	12-φ41	12-φ36
250	650	500	505	430	382	3	60	60	12-φ41	12-φ39
300	750	585	585	500	442	4	70	68	16-φ48	16-φ42
350	850	655	655	560	498	4	76	74	16-φ54	16-φ48
400	950	715	715	620	558	4	80	78	16-φ54	16-φ48

PN160

DN	L	D		D1		D2	f	b		z-φd	
		JB/T 79	HG/T 20592	JB/T 79	HG/T 20592			JB/T 79	HG/T 20592		
15	170	110	105	75	75	52	2	24	20	4-φ18	4-φ14
20	190	130	130	90	90	62	2	26	24	4-φ23	4-φ18
25	210	140	140	100	100	72	2	28	24	4-φ23	4-φ18
32	230	165	155	115	110	85	2	30	28	4-φ25	4-φ22
40	260	175	170	125	125	92	3	32	28	4-φ27	4-φ22
50	300	215	195	165	140	132	3	36	30	8-φ25	4-φ26
65	340	245	220	190	170	152	3	44	34	8-φ30	8-φ26
80	390	260	230	205	180	168	3	46	36	8-φ30	8-φ26
100	450	300	265	240	210	200	3	48	40	8-φ34	8-φ30
125	525	355	315	285	250	238	3	60	44	8-φ41	8-φ33
150	600	390	355	318	290	270	3	66	50	12-φ41	12-φ33
200	750	480	430	400	360	345	3	78	60	12-φ48	12-φ36
250	850	580	515	485	430	425	3	88	68	12-φ54	12-φ42
300	950	665	585	570	500	510	4	100	78	16-φ54	16-φ42

美标、日标闸阀

ANSI、JIS Gate Valve

- 材质：不锈钢、碳钢、高温钢、双相钢、特殊钢、钛、镍、锆等
- 国际标准 + ...



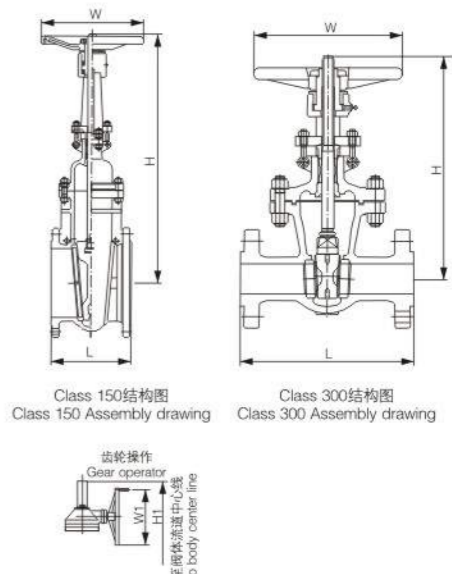
主要尺寸及重量 Main size and weight

		Z41(O)H(F) Class 150/10K/16K																			
Size	inch	1/2	3/4	1	1 1/4	1 1/2	2	2 1/2	3	4	5	6	8	10	12	14	16	18	20	24	28
L	mm	108	117	127	140	165	178	191	203	229	254	267	292	330	356	381	406	432	457	508	610
H	mm	169	193	230	246	283	361	396	435	522	570	610	750	935	1070	1224	1345	1487	1627	1931	-
W	mm	100	125	160	160	180	250	250	280	300	350	350	400	400	500	600	600	600	680	920	-
H1	mm	-	-	-	-	-	-	-	-	-	-	-	-	1280	1480	1670	1885	2045	2210	2675	3050
W1	mm	-	-	-	-	-	-	-	-	-	-	-	-	310	310	460	460	460	460	600	600
T	N·m	-	-	-	-	-	12.4	17	23	24.5	60	85	125	138	188	276	396	491	650	1018	1492
WT(RF)	kg	5	6.1	8.4	14.3	15.4	20	30	33	49	60	75	120	205	323	400	511	650	789	1200	1800

		Z41(O)H(F) Class 300/20K																			
Size	inch	1/2	3/4	1	1 1/4	1 1/2	2	2 1/2	3	4	5	6	8	10	12	14	16	18	20	24	28
L	mm	140	152	165	178	190	216	241	283	305	381	403	419	457	502	762	838	914	991	1143	1346
H	mm	169	193	230	246	283	352	390	420	496	570	635	772	965	1090	1265	1385	1510	1630	-	-
W	mm	100	125	160	160	180	250	250	250	300	350	400	450	500	600	650	750	750	920	-	-
H1	mm	-	-	-	-	-	-	-	-	-	-	-	-	1375	1524	1718	1860	2077	2310	2809	3078
W1	mm	-	-	-	-	-	-	-	-	-	-	-	-	460	460	460	460	460	600	600	600
T	N·m	-	-	-	-	-	27.5	40	54	80	194	202	226	354	558	736	966	1259	1259	2668	4264
WT(RF)	kg	5.2	6.3	8.6	14.5	15.6	24	36	47	69	29	123	196	333	440	710	950	1405	1405	2770	3312

性能规范 Specifications

- ### 设计制造标准 Design & Manufacture Standard
- 设计与制造标准: API600 ASME B16.34、BS 1414
 - 结构长度标准: ASME B16.10
 - 连接法兰标准: ASME B16.5、ASME B16.47、JIS B2220
 - 检验与试验标准: ISO 5208、API 598、BS 6755
 - Design and Manufacturing: AP600、ASME B16.34、BS 1414
 - Face-to-Face: ASME B16.10
 - End flange: ASME B16.5、ASME B16.47、JIS B2220
 - Inspection and testing: ISO 5208、API 598、BS 6755
- ### 性能规范 Specifications
- 公称压力: 150, 300LB, 10K, 20K
 - 强度试验: PT3.0, 7.5, 2.4, 5.8Mpa
 - 密封试验: 2.2, 5.5, 1.5, 4.0Mpa
 - 气密封试验: 0.6Mpa
 - 阀门主体材料: WCB(C), CF8(P), CF3(PL), CF8M(R), CF3M(RL)
 - 适用介质: 水、蒸汽、油品、硝酸类、醋酸类
 - 适用温度: -29°C ~ 425°C
 - Nominal pressure: 150, 300LB, 10K, 20K
 - Strength test: PT3.0, 7.5, 2.4, 5.8Mpa
 - Seal test: 2.2, 5.5, 1.5, 4.0Mpa
 - Gas seal test: 0.6Mpa
 - Valve body material: WCB(C), CF8(P), CF3(PL), CF8M(R), CF3M(RL)
 - Suitable medium: water, steam, oil products, nitric acid, acetic acid
 - Suitable temperature: -29°C ~ 425°C



美标、日标闸阀

ANSI, JIS Gate Valve

主要尺寸及重量

Main size and weight

		Z41(0)H(F) Class 600															
Size	inch	2	2 1/2	3	4	5	6	8	10	12	14	16	18	20	24	28	
	mm	50	65	80	100	125	150	200	250	300	350	400	450	500	600	700	
L	mm	292	330	356	432	508	559	660	787	838	889	991	1092	1194	1397	1549	
H	mm	464	548	579	688	752	934	1085	1293	-	-	-	-	-	-	-	
W	mm	250	280	300	350	400	450	500	550	-	-	-	-	-	-	-	
H1	mm	-	-	-	-	-	-	-	-	1462	1689	1782	2213	2423	2905	3418	
W1	mm	-	-	-	-	-	-	-	-	460	460	460	530	530	530	530	

		Z41(0)H(F) Class 900									
Size	inch	2	2 1/2	3	4	5	6	8	10	12	
	mm	50	65	80	100	125	150	200	250	300	
L	mm	371	422	384	460	562	613	740	841	968	
H	mm	529	665	688	715	856	996	-	-	-	
W	mm	300	350	400	450	500	550	-	-	-	
H1	mm	-	-	-	-	-	-	1180	1506	1692	
W1	mm	-	-	-	-	-	-	460	460	530	

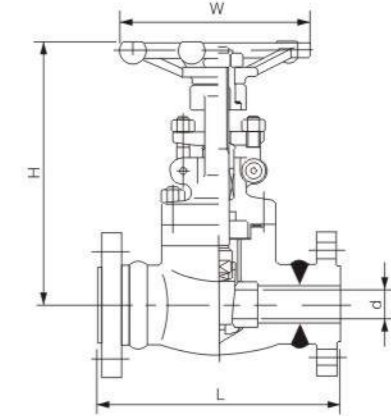
		Z41(0)H(F) Class 1500									
Size	inch	2	2 1/2	3	4	5	6	8	10	12	
	mm	50	65	80	100	125	150	200	250	300	
L	mm	371	422	473	549	676	711	841	1000	1146	
H	mm	529	665	688	-	-	-	-	-	-	
W	mm	350	400	450	-	-	-	-	-	-	
H1	mm	-	-	-	869	954	1024	1286	1438	1582	
W1	mm	-	-	-	460	460	530	530	600	600	

		Z41(0)H(F) Class 2500									
Size	inch	2	2 1/2	3	4	5	6	8	10	12	
	mm	50	65	80	100	125	150	200	250	300	
L	mm	454	514	584	683	807	927	1038	1292	-	
H	mm	676	728	872	-	-	-	-	-	-	
W	mm	350	400	450	-	-	-	-	-	-	
H1	mm	-	-	-	1029	1189	1342	1485	1985	-	
W1	mm	-	-	-	460	530	530	600	600	-	

美标锻钢闸阀

ANSI Forged Steel Gate Valve

- 材质: 不锈钢、碳钢、高温钢、双相钢、特殊钢、钛、镍、锆等
- 国际标准 +



主要尺寸及重量

Main size and weight

		Z41H(Y) Class 150-600									
Size	in	mm	压力等级 Class	L(mm)	H开(mm)		W(mm)		WT(kg)		
					缩径 RB	全径 FB	缩径 RB	全径 FB	缩径 RB	全径 FB	
1/2	15	150	108	166	169	100	100	4.5	5		
								300	140	4.8	5.2
								600	165	5.9	5.9
3/4	20	150	117	169	193	100	125	5.2	6.1		
								300	152	6.2	6.3
								600	190	7.4	7.5
1	25	150	127	193	230	125	160	8.2	8.4		
								300	165	9.3	8.6
								600	216	10.4	10.2
1 1/4	32	150	140	230	246	160	160	11.5	14.3		
								300	178	14	14.5
								600	229	16.2	16.7
1 1/2	40	150	165	246	283	160	180	12.5	15.4		
								300	190	15.5	15.6
								600	241	17.5	17.4
2	50	150	178	283	330	180	200	20.3	22.7		
								300	216	23.4	22.8
								600	292	28.3	28.7

		Z41H(Y) Class 900-1500					
Size	in	mm	L(mm)	H开(mm)	W(mm)	WT(kg)	
						B.B	W.B
1/2	15	216	197	125	6.9	7.2	
3/4	20	229	197	125	11.2	11.5	
1	25	254	224	160	12.8	15.6	
1 1/4	32	279	237	160	16.0	16.2	
1 1/2	40	305	276	180	21.0	22.6	
2	50	368	320	200	27.1	28.2	

		Z41H(Y) Class 2500					
Size	in	mm	L(mm)	H开(mm)	W(mm)	WT(kg)	
						B.B	W.B
1/2	15	264	212	125	19.5	14.6	
3/4	20	273	212	160	21.5	16.8	
1	25	308	245	160	42	17.6	
1 1/4	-	-	-	-	-	-	
1 1/2	40	384	335	200	65	25	
2	50	451	375	240	95	31.9	

设计制造标准

Design & Manufacture Standard

- 设计与制造标准: API 602、BS5352、ASME B16.34
- 连接法兰标准: ASME B16.5
- 检验与试验标准: API 598
- Design and Manufacturing: API 602、BS 5352、ASME B16.34
- End flange: ASME B16.5、
- Inspection and testing: API 598

性能规范

Specifications

- 公称压力: 150-1500LB
- 强度试验: 1.5XPN Mpa
- 密封试验: 1.1XPN Mpa
- 气密封试验: 0.6Mpa
- 阀门主体材料: A105(C), F304(P), F304(PL), F316(R), F316L(RL)
- 适用介质: 水、蒸汽、油品、硝酸类、醋酸类
- 适用温度: -29°C ~ 425°C
- Nominal pressure: 150-1500LB
- Strength test: 1.5XPN Mpa
- Seal test: 1.1XPN Mpa
- Gas seal test: 0.6Mpa
- Valve body material: A105(C), F304(P), F304(PL), F316(R), F316L(RL)
- Suitable medium: water, steam, oil products, nitric acid, acetic acid
- Suitable temperature: -29°C ~ 425°C

平板闸阀

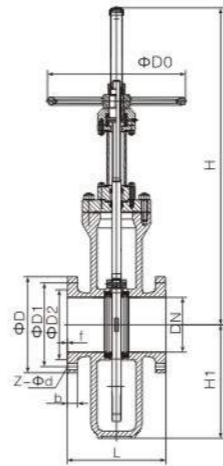
Slab Gate Valve

- 材质: 不锈钢、碳钢、高温钢、双相钢、特殊钢、钛、镍、锆等
- 国际标准 +



主要尺寸及重量
Main size and weight

DN	L	D	D1	D2	b-f	z-φd	D0	H	H1
50	178	160	125	100	16-3	4-φ18	250	584	80
65	191	180	145	120	18-3	4-φ18	250	634	95
80	203	195	160	135	20-3	8-φ18	300	688	100
100	229	215	180	155	20-3	8-φ18	300	863	114
125	254	245	210	185	22-3	8-φ18	350	940	132
150	267	285	240	218	22-2	8-φ22	350	1030	150
200	292	340	295	278	24-2	12-φ22	350	1277	168
250	330	405	355	335	26-2	12-φ26	400	1491	203
300	356	460	410	395	28-2	12-φ26	450	1701	237
350	381	520	470	450	30-2	16-φ26	500	1875	265
400	406	580	525	505	32-2	16-φ30	305	2180	300
450	432	640	585	555	40-2	20-φ30	305	2440	325
500	457	715	650	615	44-2	20-φ33	305	2860	360
600	508	840	770	725	54-2	20-φ36	305	3450	425



设计制造标准
Design & Manufacture Standard

- 设计与制造标准: GB/T 19672、API 6D
- 结构长度标准: GB/T 19672、API 6D
- 连接法兰标准: JB/T 79、HG/T 20592、ASME B16.5、GB/T 12224、ASME B16.25
- 检验与试验标准: GB/T 19672、GB/T 26480、API 6D
- Design and Manufacturing: GB/T 19672, API 6D
- Face-to-Face: GB/T 19672, API 6D
- End flange: JB/T79, HG/T20592, ASME B16.5, GB/T 12224, ASME B16.25
- Inspection and testing: GB/T19672, GB/T26480, API6D

性能规范
Specifications

- 公称压力: 1.6, 2.5, 4.0, 6.3Mpa
- 强度试验: 2.4, 3.8, 6.0, 9.5Mpa
- 密封试验: 1.8, 2.8, 4.4, 7.0Mpa
- 气密封试验: 0.6Mpa
- 阀门主体材料: WCB(C), CF8(P), CF3(PL), CF8M(R), CF3M(RL)
- 适用介质: 石油、天然气、水、磨蚀性介质
- 适用温度: -29°C~120°C
- Nominal pressure: 1.6, 2.5, 4.0, 6.3Mpa
- Strength test: 2.4, 3.8, 6.0, 9.5Mpa
- Seal test: 1.8, 2.8, 4.4, 7.0Mpa
- Gas seal test: 0.6Mpa
- Valve body material: WCB(C), CF8(P), CF3(PL), CF8M(R), CF3M(RL)
- Suitable medium: Oil, natural gas, water, abrasive media
- Suitable temperature: -29°C~120°C

手动/气动刀闸阀

Manual / Pneumatic Knife Gate Valve

- 材质: 不锈钢、碳钢、高温钢、双相钢、特殊钢、钛、镍、锆等
- 国际标准 +

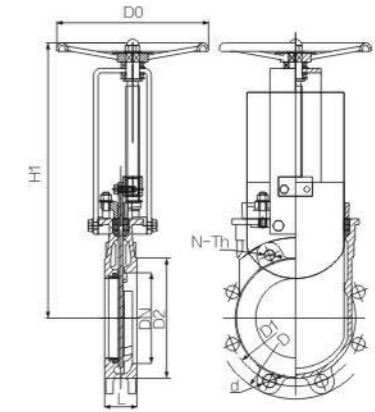


主要零件材料
Materials of main parts

材料名称 Material Name	PZ73H-(6-16)C	PZ73H-(6-16)P	PZ73H-(6-16)R
阀体、支架 Body, bracket	WCB	ZG1Cr18Ni9Ti CF8	ZG1Cr18Ni12Mo2Ti CF8M
闸板、闸杆 Disc, stem	ZG1Cr18Ni9Ti CF8	ZG1Cr18Ni9Ti CF8	ZG1Cr18Ni12Mo2Ti CF8M
密封材料 Seal Material	橡胶、聚四氟乙烯、不锈钢、硬质合金 Rubber, PTFE, Stainless steel, Carbide		

主要外形尺寸
Main outer size

公称直径 Nominal diameter	PZ73H-10P 尺寸 Dimensions(mm)							
	L	D	D1	D2	d	N-Th	H1	D0
50	4B	160	125	100	18	4-M16	310	180
65	4B	180	145	120	18	4-M16	330	180
80	51	195	160	135	18	4-M16	360	220
100	51	215	180	155	18	B-M16	400	240
125	57	245	210	185	18	B-M16	460	280
150	57	280	240	210	23	B-M20	510	300
200	70	335	295	265	23	B-M20	570	380
250	70	390	350	320	23	12-M20	670	450
300	76	440	400	368	23	12-M20	800	450
350	76	500	460	428	23	16-M20	890	450
400	89	565	515	482	25	16-M22	1000	450
450	89	615	565	532	25	20-M22	1160	530



设计制造标准
Design & Manufacture Standard

- 设计与制造标准: JB/T8691、MSS SP-81
- 结构长度标准: GB/T15188.2、TAPPI TIS 405.8
- 连接法兰标准: JB/T 79、ANSIB16.5、JIS B2220
- 检验与试验标准: GB/T13927、MSS SP-81、JB/T8691
- Design and Manufacturing: JB/T8691, MSS SP-81
- Face-to-Face: GB/T15188.2, TAPPI TIS 405.8
- End flange: JB/T 79, ANSIB16.5, JIS B2220
- Inspection and testing: GB/T13927, MSS SP-81, JB/T8691

性能规范 (GB)
Specifications

- 公称压力: 0.6.1.0.1.6Mpa
- 强度试验: 0.9.1.5.2.4Mpa
- 密封试验: 0.7.1.1.1.8Mpa
- 气密封试验: 0.6Mpa
- 阀门主体材料: WCB(C), CF8(P), CF3(PL), CF8M(R), CF3M(RL)
- 适用介质: 纸浆、泥浆、煤渣、灰渣
- 适用温度: -29°C~100°C
- Nominal pressure: 0.6.1.0.1.6Mpa
- Strength test: 0.9.1.5.2.4Mpa
- Seal test: 0.7.1.1.1.8Mpa
- Gas seal test: 0.6Mpa
- The valve main material: WCB(C), CF8(P), CF3(PL), CF8M(R), CF3M(RL)
- Suitable medium: Mortar mixture, Dregs with water proportion
- Suitable temperature: -29°C~100°C

铸钢截止阀

Cast Steel Globe Valve

产品结构特征

截止阀属于比较常见的截断阀，主要用来接通或截断管路中的介质。法兰连接截止阀适用于公称压力PN1.6~16.0MPa，工作温度-46~550℃的石油、化工、制药、化肥、电力行业等各种工况的管路上，切断或接通管路介质。

其主要结构特点有

1. 截止阀的结构比闸阀简单，制造和维护方便。
2. 密封面不易磨损及擦伤，密封性好，使用寿命长。
3. 启闭时，阀瓣行程小，截止阀的高度比闸阀小，但结构长度比闸阀长。
4. 启闭力矩大、启闭较费力，启闭时间较长。
5. 流体阻力大，因阀体内介质通道较曲折，流体阻力大，动力消耗大。
6. 介质流动方向：公称压力PN≤16MPa时，一般采用顺流，介质从阀瓣下方向上流；公称压力PN≥20MPa时，一般采用逆流，介质从阀瓣上方向下流，增强密封性能。
7. 全开时阀瓣经常受冲蚀。

主要零件材质

Form of major parts materials

零件名称 Part name	阀体、阀盖、闸板 Body, cover, gate	密封 Sealing	阀杆 Stem	填料 packing	螺栓/螺母 Bolt/nut
碳素钢 Carbon steel	WCB	13Cr、STL	Cr13系	柔性石墨 Flexible graphite	35CrMoA/45
奥氏体不锈钢 Austenitic stainless steel	CF8(304)、CF8M(316) CF3(304L)、CF3M(316L)	本体材料、STL Body material、STL	304、316、 304L、316L	柔性石墨、PTFE Flexible graphite、PTFE	304/304 316/316
合金钢 Alloy steel	WC6、WC9、 1Cr5Mo、15CrMo	STL	25Cr2Mo1V	柔性石墨 Flexible graphite	25Cr2Mo1V/35CrMoA
双相钢 Dual phase steel	F51、00Cr22Ni5Mo3N	本体材料、STL Body material、STL	00Cr22Ni5Mo3N	柔性石墨、PTFE Flexible graphite、PTFE	316/316
低温钢 Low temperature steel	LCB、LF2、16Mn	STL	1Cr17Ni2、304	柔性石墨 Flexible graphite	42CrMoA/20CrMoA
钛 Titanium	ZTA1、ZTA2、ZTA10、 Gr2、Gr3	本体材料 Body material	TA1、TA2、TA10、 Gr2、Gr3、TC4	柔性石墨、PTFE Flexible graphite、PTFE	304/304 316/316
镍 Nickel	哈氏合金 Hastelloy	本体材料 Body material	哈氏合金 Hastelloy	柔性石墨、PTFE Flexible graphite、PTFE	304/304 316/316

Products design features

Globe valve as one of the cut-off valve is a common valves mainly used to connect or disconnect the line of medium. Flanged connection globe valves are used to cut or connect the pipe media under pressures between PN1.6~16.0MPa, working temperatures between -46~550℃, in oil industry, chemical industry, pharmaceuticals, fertilizer, and power industry.

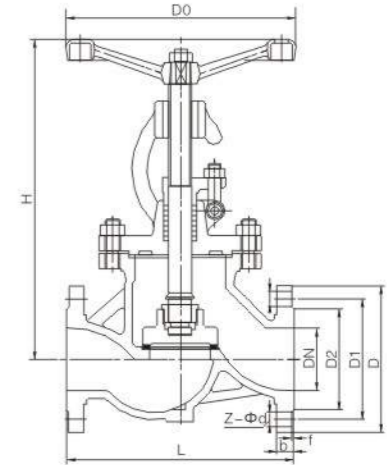
Main structural features:

1. Globe valve's structure is more simple than gate valve's, and it is more convenient in manufacturing and maintenance.
2. Sealing surface is not easy to wear and scratch, and it has a good sealing surface and long service life.
3. When opening and closing, disc's route is small, so the height of globe valve is smaller than gate valve, but the length of structure is longer than gate valve's.
4. Opening and closing torque is large, open and close more laborious, open and close time principal.
5. Fluid resistance, due to the valve body in the media channel more twists and turns, fluid resistance, power consumption.
6. Medium flow direction: nominal pressure PN is less than 16MPa, generally use the media from the valve downstream, under the direction of flow; nominal pressure PN = 20MPa, using reflux, medium from the valve on the downstream direction to increase the seal.
7. The valve is fully open when the valve flap is subject to erosion.

国标、德标截止阀

GB、DIN Globe Valve

- 材质：不锈钢、碳钢、高温钢、双相钢、特殊钢、钛、镍、锆等
- 国际标准 + ……



主要尺寸及重量

Main size and weight

DN	L	D		D1	D2	f	b		z-φd		H	D0
		JB/T 79	HG/T 20592				JB/T 79	HG/T 20592	JB/T 79	HG/T 20592		
15	130	95	95	65	45	2	14	16	4-φ14	4-φ14	190	100
20	150	105	105	75	55	2	14	18	4-φ14	4-φ14	200	120
25	160	115	115	85	65	2	14	18	4-φ14	4-φ14	225	140
32	180	135	140	100	78	2	16	18	4-φ18	4-φ18	235	160
40	200	145	150	110	85	3	16	18	4-φ18	4-φ18	265	200
50	230	160	165	125	100	3	16	18	4-φ18	4-φ18	280	220
65	290	180	185	145	120	3	18	18	4-φ18	8-φ18	350	240
80	310	195	200	160	135	3	20	20	8-φ18	8-φ18	360	280
100	350	215	220	180	155	3	20	20	8-φ18	8-φ18	410	320
125	400	245	250	210	185	3	22	22	8-φ18	8-φ18	450	350
150	480	280	285	240	210	3	24	22	8-φ23	8-φ22	480	400
200	600	335	340	295	265	3	26	24	12-φ23	12-φ22	600	450
250	650	405	405	355	320	3	30	26	12-φ25	12-φ26	720	550
300	750	460	460	410	375	4	30	28	12-φ25	12-φ26	950	650
350	850	520	520	470	435	4	34	30	16-φ25	16-φ26	1040	750
400	950	580	580	525	485	4	36	32	16-φ30	16-φ30	1150	800
450	1050	640	640	585	545	4	40	40	20-φ30	20-φ30	1250	850
500	1150	705	715	650	608	4	44	44	20-φ34	20-φ33	1380	950

设计制造标准

Design & Manufacture Standard

- 设计与制造按GB/T 12235、DIN 3356
- 结构长度按GB/T 12221、DIN 3202
- 法兰连接尺寸按JB/T 79、DIN 2543
- 检验按GB/T 26480、DIN 3230
- Design and manufacture as GB/T 12235、DIN 3356
- Face to face dimensions as GB/T 12221、DIN 3202
- End flange dimension as JB/T 79、DIN 2543
- Pressure test as GB/T 26480、DIN 3230

性能规范

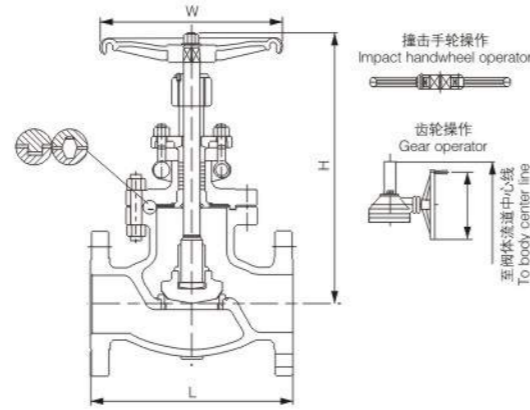
Specifications

- 公称压力：1.6、2.5、4.0、6.3Mpa
- 强度试验：2.4、3.8、6.0、9.5Mpa
- 密封试验：1.8、2.8、4.4、7.0Mpa
- 气密封试验：0.6Mpa
- 阀门主体材料：WCB(C)、CF8(P)、CF3(PL)、CF8M(R)、CF3M(RL)
- 适用介质：水、蒸汽、油品、硝酸类、醋酸类
- 适用温度：-29℃ - 425℃
- Nominal pressure: 1.6, 2.5, 4.0, 6.3Mpa
- Strength test: 2.4, 3.8, 6.0, 9.5Mpa
- Seal test: 1.8, 2.8, 4.4, 7.0Mpa
- Gas seal test: 0.6Mpa
- Valve body material: WCB(C), CF8(P), CF3(PL), CF8M(R), CF3M(RL)
- Suitable medium: water, steam, oil products, nitric acid, acetic acid
- Suitable temperature: -29℃ - 425℃

美标、日标截止阀

ANSI, JIS Globe Valve

- 材质: 不锈钢、碳钢、高温钢、双相钢、特殊钢、钛、镍、锆等
- 国际标准 +



主要尺寸及重量 Main size and weight

J41H(Y)		Class 150/10K															
Size	inch	1/2	3/4	1	1 1/4	1 1/2	2	2 1/2	3	4	5	6	8	10	12	14	16
L	mm	108	117	127	140	165	203	216	241	292	356	406	495	622	698	787	914
H	mm	163	193	250	250	291	350	362	385	490	455	537	707	788	820	-	-
W	mm	100	125	160	160	180	220	250	280	320	320	400	450	560	560	-	-
H1	mm	-	-	-	-	-	-	-	-	-	-	-	760	830	890	1400	1648
W1	mm	-	-	-	-	-	-	-	-	-	-	-	310	310	460	600	600
T	N.m	-	-	-	-	-	31	50	72	115	170	225	427	671	1127	1231	1750
WT(RF)	kg	6.9	9.8	13.5	19.5	28.5	21	29	34	54	72	93	185	268	400	650	1113

J41H(Y)		Class 300/20K													
Size	inch	1/2	3/4	1	1 1/4	1 1/2	2	2 1/2	3	4	5	6	8	10	12
L	mm	152	178	203	216	229	267	292	318	356	400	445	559	622	711
H	mm	163	193	250	250	291	345	377	405	468	620	*708	*777	*935	*906
W	mm	100	125	160	160	180	220	250	280	320	400	*450	*500	*560	*600
H1	mm	-	-	-	-	-	-	-	-	-	-	836	854	997	1230
W1	mm	-	-	-	-	-	-	-	-	-	-	390	460	460	300
T	N.m	-	-	-	-	-	52	90	137	236	140	556	1003	1962	3465
WT(RF)	kg	7.7	11.3	16.8	21.2	32.6	28	36	50	75		200	287	510	720

设计制造标准 Design & Manufacture Standard

- 设计制造按: ASME B16.34, BS 1873
- 结构长度按: ASME B16.10
- 连接尺寸按: ASME B16.5, JIS B2220
- 检验和测试按: ISO 5208, API 598, BS 6755
- Design & Manufacture as per: ASME B16.34, BS 1873
- Face to face dimension as per: ASME B16.10
- Connection ends dimension as per: ASME B16.5, JIS B2220
- Inspection and test as per: ISO 5208, API 598, BS 6755

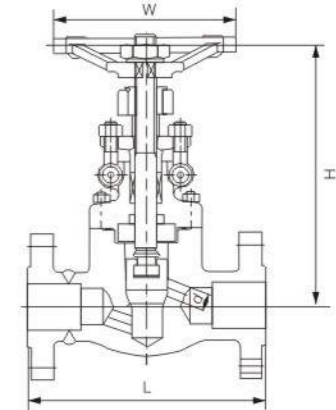
性能规范 Specifications

- 公称压力: 150, 300LB, 10K, 20K
- 强度试验: PT3.0, 7.5, 2.4, 5.8Mpa
- 密封试验: 2.2, 5.5, 1.5, 4.0Mpa
- 气密封试验: 0.6Mpa
- 阀门主体材料: WCB(C), CF8(P), CF3(PL), CF8M(R), CF3M(RL)
- 适用介质: 水、蒸汽、油品、硝酸类, 醋酸类
- 适用温度: -29°C ~ 425°C
- Nominal pressure: 150, 300LB, 10K, 20K
- Strength test: PT3.0, 7.5, 2.4, 5.8Mpa
- Seal test: 2.2, 5.5, 1.5, 4.0Mpa
- Gas seal test: 0.6Mpa
- Valve body material: WCB(C), F304(P), F304(PL), F316(R), F316L(RL)
- Suitable medium: water, steam, oil products, nitric acid, acetic acid
- Suitable temperature: -29°C ~ 425°C

美标锻钢截止阀

ANSI Forged Steel Globe Valve

- 材质: 不锈钢、碳钢、高温钢、双相钢、特殊钢、钛、镍、锆等
- 国际标准 +



主要尺寸及重量 Main size and weight

J41H(Y)		Class 150-600										
Size	inch	mm	压力等级 Class	L(mm)	H开(mm)		W(mm)		WT(kg)			
					缩径 RB	全径 FB	缩径 RB	全径 FB	缩径 RB	全径 FB		
1/2	15	150	108	158	163	100	100	4.5	6.9			
								300	152	4.8	7.7	
								600	165	5.6	7.8	
3/4	20	150	117	163	193	100	125	6.9	9.8			
								300	178	7.7	11.3	
								600	190	7.8	12.5	
1	25	150	127	193	250	125	160	9.8	13.5			
								300	203	11.1	16.8	
								600	216	12.5	17.5	
1 1/4	32	150	140	250	250	160	160	13.5	19.5			
								300	216	16.8	21.2	
								600	229	17.0	23.5	
1 1/2	40	150	165	250	291	160	180	19.5	28.5			
								300	229	21.2	32.6	
								600	241	23.5	38.5	
2	50	150	203	291	312	180	200	28.0	30.3			
								300	267	32.6	35.0	
								600	292	38.8	42.2	

设计制造标准 Design & Manufacture Standard

- 设计制造按API 602, BS 5352, ASME B16.34
- 连接尺寸按ASME B16.5
- 检验和测试按API 598
- Design manufacture as per: API 602, BS 5352, ASME B16.34
- Connection ends dimension as per: ASME B16.5,
- Inspection and test as per: API 598

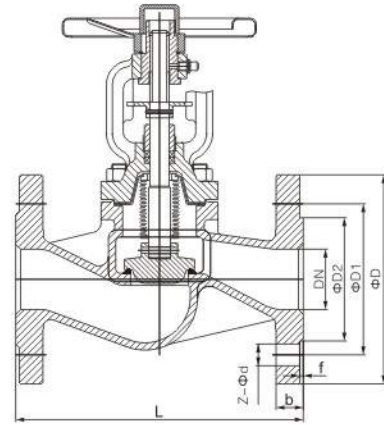
性能规范 Specifications

- 公称压力: 150-1500LB
- 强度试验: 1.5XPN Mpa
- 密封试验: 1.1XPN Mpa
- 气密封试验: 0.6Mpa
- 阀门主体材料: A105(C), F304(P), F304(PL), F316(R), F316L(RL)
- 适用介质: 水、蒸汽、油品、硝酸类, 醋酸类
- 适用温度: -29°C ~ 425°C
- Nominal pressure: 150-1500LB
- Strength test: 1.5XPN Mpa
- Seal test: 1.1XPN Mpa
- Gas seal test: 0.6Mpa
- Valve body material: A105(C), F304(P), F304(PL), F316(R), F316L(RL)
- Suitable medium: water, steam, oil products, nitric acid, acetic acid
- Suitable temperature: -29°C ~ 425°C

波纹管截止阀

Bellow Sealed Globe Valve

- 材质: 不锈钢、碳钢、高温钢、双相钢、特殊钢、钛、镍、锆等
- 国际标准 +



主要尺寸及重量 Main size and weight

DN	L	D		D1	D2	f	b		z-φd	
		JB/T 79	HG/T 20592				JB/T 79	HG/T 20592	JB/T 79	HG/T 20592
15	130	95	95	65	45	2	14	16	4-φ14	4-φ14
20	150	105	105	75	55	2	14	18	4-φ14	4-φ14
25	160	115	115	85	65	2	14	18	4-φ14	4-φ14
32	180	135	140	100	78	2	16	18	4-φ18	4-φ18
40	200	145	150	110	85	3	16	18	4-φ18	4-φ18
50	230	160	165	125	100	3	16	18	4-φ18	4-φ18
65	290	180	185	145	120	3	18	18	4-φ18	8-φ18
80	310	195	200	160	135	3	20	20	8-φ18	8-φ18
100	350	215	220	180	155	3	20	20	8-φ18	8-φ18
125	400	245	250	210	185	3	22	22	8-φ18	8-φ18
150	480	280	285	240	210	3	24	22	8-φ23	8-φ22
200	600	335	340	295	265	3	26	24	12-φ23	12-φ22
250	730	405	405	355	320	3	30	26	12-φ25	12-φ26
300	850	460	460	410	375	4	30	28	12-φ25	12-φ26
350	980	520	520	470	435	4	34	30	16-φ25	16-φ26
400	1100	580	580	525	485	4	36	32	16-φ30	16-φ30
450	1200	640	640	585	545	4	40	40	20-φ30	20-φ30
500	1250	705	715	650	608	4	44	44	20-φ34	20-φ33

设计制造标准 Design & Manufacture Standard

- 设计制造按: GB/T 12234, BS 1873
- 结构长度按: GB/T 12221, ASME B16.10
- 法兰连接尺寸按: JB/T 79, HG/T 20592, ASME B16.5
- 检验和测试按: GB/T 26480, API 598
- Design & Manufacture as per: GB/T 12234, BS 1873
- Face to face dimension as per: GB/T 12221, ASME B16.10
- Connection ends dimension as per: JB/T 79, HG/T 20592, ASME B16.5
- Inspection and test as per: GB/T 26480, API 598

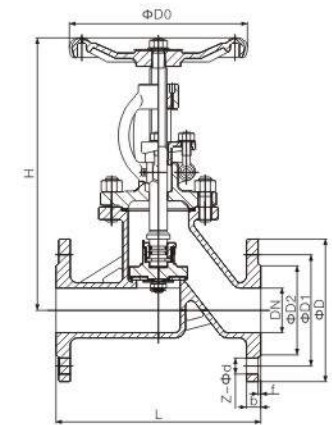
性能规范 Specifications

- 公称压力: 1.6, 2.5, 4.0, 6.3Mpa
- 强度试验: 2.4, 3.8, 6.0, 9.5Mpa
- 密封试验: 1.8, 2.8, 4.4, 7.0Mpa
- 气密封试验: 0.6Mpa
- 阀门主体材料: WCB(C), CF8(P), CF3(PL), CF8M(R), CF3M(RL)
- 适用介质: 石油、天然气、水、磨蚀性介质
- 适用温度: -29°C~425°C
- Nominal pressure: 1.6, 2.5, 4.0, 6.3Mpa
- Strength test: 2.4, 3.8, 6.0, 9.5Mpa
- Seal test: 1.8, 2.8, 4.4, 7.0Mpa
- Gas seal test: 0.6Mpa
- Valve body material: WCB(C), CF8(P), CF3(PL), CF8M(R), CF3M(RL)
- Suitable medium: Oil, natural gas, water, abrasive media
- Suitable temperature: -29°C~425°C

抗生素截止阀

Antibiotics Globe Valve

- 材质: 不锈钢、碳钢、高温钢、双相钢、特殊钢、钛、镍、锆等
- 国际标准 +



主要尺寸及重量 Main size and weight

DN	L	D		D1	D2	f	b		z-φd		H	D0
		JB/T 79	HG/T 20592				JB/T 79	HG/T 20592				
15	130	95	95	65	45	2	14	16	4-φ14	4-φ14	190	100
20	150	105	105	75	55	2	14	18	4-φ14	4-φ14	200	120
25	160	115	115	85	65	2	14	18	4-φ14	4-φ14	225	140
32	180	135	140	100	78	2	16	18	4-φ18	4-φ18	235	160
40	200	145	150	110	85	3	16	18	4-φ18	4-φ18	265	200
50	230	160	165	125	100	3	16	18	4-φ18	4-φ18	280	220
65	290	180	185	145	120	3	18	18	4-φ18	8-φ18	350	240
80	310	195	200	160	135	3	20	20	8-φ18	8-φ18	360	280
100	350	215	220	180	155	3	20	20	8-φ18	8-φ18	410	320
125	400	245	250	210	185	3	22	22	8-φ18	8-φ18	450	350
150	480	280	285	240	210	3	24	22	8-φ23	8-φ22	480	400
200	600	335	340	295	265	3	26	24	12-φ23	12-φ22	600	450
250	730	405	405	355	320	3	30	26	12-φ25	12-φ26	720	550
300	850	460	460	410	375	4	30	28	12-φ25	12-φ26	950	650
350	980	520	520	470	435	4	34	30	16-φ25	16-φ26	1040	750
400	1100	580	580	525	485	4	36	32	16-φ30	16-φ30	1150	800
450	1200	640	640	585	545	4	40	40	20-φ30	20-φ30	1250	850
500	1250	705	715	650	608	4	44	44	20-φ34	20-φ33	1380	950

设计制造标准 Design & Manufacture Standard

- 设计与制造按GB/T 12235, DIN 3356
- 结构长度按GB/T 12221, DIN 3202
- 法兰连接尺寸按JB/T 79, DIN 2543
- 检验按GB/T 26480, DIN 3230
- Design and manufacture as GB/T 12235, DIN 3356
- Face to face dimensions as GB/T 12221, DIN 3202
- End flange dimension as JB/T 79, DIN 2543
- Pressure test as GB/T 26480, DIN 3230

性能规范 Specifications

- 公称压力: 1.6, 2.5, 4.0, 6.3Mpa
- 强度试验: 2.4, 3.8, 6.0, 9.5Mpa
- 密封试验: 1.8, 2.8, 4.4, 7.0Mpa
- 气密封试验: 0.6Mpa
- 阀门主体材料: WCB(C), CF8(P), CF3(PL), CF8M(R), CF3M(RL)
- 适用介质: 水、蒸汽、油品、硝酸类、醋酸类
- 适用温度: -29°C~425°C
- Nominal pressure: 1.6, 2.5, 4.0, 6.3Mpa
- Strength test: 2.4, 3.8, 6.0, 9.5Mpa
- Seal test: 1.8, 2.8, 4.4, 7.0Mpa
- Gas seal test: 0.6Mpa
- Valve body material: WCB(C), CF8(P), CF3(PL), CF8M(R), CF3M(RL)
- Suitable medium: water, steam, oil products, nitric acid, acetic acid
- Suitable temperature: -29°C~425°C

铸钢止回阀

Cast Steel Check Valve

产品结构特征

止回阀是一种“自动”阀，顺流时开启，逆流时关闭。靠系统中的介质压力打开阀门，介质倒流时关闭阀门。具体操作因止回阀机构的类型而异。最常见的止回阀类型有旋启式、升降式（活塞和球式）、蝶形、止回阀和倾斜阀盘。产品广泛应用于石油、化工、制药、化肥、电力、城建等行业管路系统。

止回阀可分为升降式止回阀、旋启式止回阀和蝶式止回阀三种。升降式止回阀可分为立式和直通式两种。旋启式止回阀分为单瓣式、双瓣式和多瓣式三种。蝶式止回阀可分为蝶式双瓣、蝶式单瓣，以上几种止回阀在连接形式上可分为螺纹连接、法兰连接、焊接和对夹式连接四种。

主要零件材质

Form of major parts materials

零件名称 Part name	阀体、阀盖、闸板 Body, cover, gate	密封 Sealing	阀杆 Stem	填料 packing	螺栓/螺母 Bolt/nut
碳素钢 Carbon steel	WCB	13Cr、STL	Cr13系	柔性石墨 Flexible graphite	35CrMoA/45
奥氏体不锈钢 Austenitic stainless steel	CF8(304)、CF8M(316) CF3(304L)、CF3M(316L)	本体材料、STL Body material, STL	304、316、 304L、316L	柔性石墨、PTFE Flexible graphite, PTFE	304/304 316/316
合金钢 Alloy steel	WC6、WC9、 1Cr5Mo、15CrMo	STL	25Cr2Mo1V	柔性石墨 Flexible graphite	25Cr2Mo1V/35CrMoA
双相钢 Dual phase steel	F51、00Cr22Ni5Mo3N	本体材料、STL Body material, STL	00Cr22Ni5Mo3N	柔性石墨、PTFE Flexible graphite, PTFE	316/316
低温钢 Low temperature steel	LCB、LF2、16Mn	STL	1Cr17Ni2、304	柔性石墨 Flexible graphite	42CrMoA/20CrMoA
钛 Titanium	ZTA1、ZTA2、ZTA10、 Gr2、Gr3	本体材料 Body material	TA1、TA2、TA10、 Gr2、Gr3、TC4	柔性石墨、PTFE Flexible graphite, PTFE	304/304 316/316
镍 Nickel	哈氏合金 Hastelloy	本体材料 Body material	哈氏合金 Hastelloy	柔性石墨、PTFE Flexible graphite, PTFE	304/304 316/316

Products design features

Check valves are "automatic" valves that open with forward flow and close with reverse flow. The pressure of the fluid passing through a system opens the valve, while any reversal of flow will close the valve. Exact operation will vary depending on the type of Check valve mechanism. Most common types of Check valves are swing, lift (piston and ball), butterfly, stop and tilting-disk. The products are Widely used in petroleum, chemical, pharmaceutical, fertilizer, power, urban construction and other industries pipeline system.

Check valves can be divided into lifting check valves, swing check valves and butterfly check valves. Lift check valve can be divided into two kinds of vertical and horizontal. Swing check valve is divided into single lobe, dual valve type and triple-lobe valve. Butterfly check valves can be divided into stop and tilting-disk. Several types of check valves in the connection can be divided into the threaded connection, flange connection, welding connection and the folder to connect four.

国标、德标止回阀

GB、DIN Check Valve

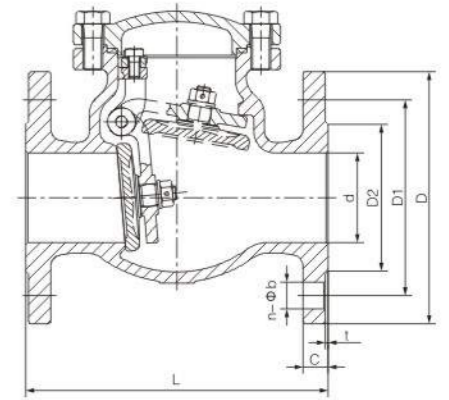
- 材质：不锈钢、碳钢、高温钢、双相钢、特殊钢、钛、镍、锆等
- 国际标准 + ……



旋启式



升降式



主要外形尺寸

Main outer size

		PN16									
DN	d	D		D1	D2	t	C		z-φd		L
		JB/T 79	HG/T 20592				JB/T 79	HG/T 20592	JB/T 79	HG/T 20592	
15	18	95	95	65	45	2	14	16	4-φ14	4-φ14	130
20	20	105	105	75	55	2	14	18	4-φ14	4-φ14	150
25	25	115	115	85	65	2	14	18	4-φ14	4-φ14	160
32	32	135	140	100	78	2	16	18	4-φ18	4-φ18	180
40	38	145	150	110	85	3	16	18	4-φ18	4-φ18	200
50	50	160	165	125	100	3	16	18	4-φ18	4-φ18	230
65	64	180	185	145	120	3	18	18	4-φ18	8-φ18	280
80	76	195	200	160	135	3	20	20	8-φ18	8-φ18	310
100	100	215	220	180	155	3	20	20	8-φ18	8-φ18	350
125	125	245	250	210	185	3	22	22	8-φ18	8-φ18	400
150	150	280	285	240	210	3	24	22	8-φ23	8-φ22	480
200	200	335	340	295	265	3	26	24	12-φ23	12-φ22	600
250	250	405	405	355	320	3	30	26	12-φ25	12-φ26	650
300	300	460	460	410	375	4	30	28	12-φ25	12-φ26	750

		PN25									
DN	d	D		D1	D2	t	C		z-φd		L
		JB/T 79	HG/T 20592				JB/T 79	HG/T 20592	JB/T 79	HG/T 20592	
15	18	95	95	65	45	2	16	16	4-φ14	4-φ14	130
20	20	105	105	75	55	2	16	18	4-φ14	4-φ14	150
25	25	115	115	85	65	2	16	18	4-φ14	4-φ14	160
32	32	135	140	100	78	2	18	18	4-φ18	4-φ18	180
40	38	145	150	110	85	3	18	18	4-φ18	4-φ18	200
50	50	160	165	125	100	3	20	20	4-φ18	4-φ18	230
65	64	180	185	145	120	3	22	22	8-φ18	8-φ18	280
80	76	195	200	160	135	3	22	24	8-φ18	8-φ18	310
100	100	230	235	190	160	3	24	24	8-φ23	8-φ22	350
125	125	270	270	220	188	3	28	26	8-φ25	8-φ26	400
150	150	300	300	250	218	3	30	28	8-φ25	8-φ26	480
200	200	360	360	310	278	3	34	30	12-φ25	12-φ26	600
250	250	425	425	370	332	3	36	32	12-φ30	12-φ30	650
300	300	485	485	430	390	4	40	34	16-φ30	16-φ30	750

设计制造标准

Design & Manufacture Standard

- 设计与制造按GB/T 12236、GB/T 12235
- 结构长度按GB/T 12221
- 法兰连接尺寸按JB/T 79
- 检验按GB/T 26480
- Design and manufacture as GB/T 12236、GB/T 12235
- Face to face dimensions as GB/T 12221
- End flange dimension as JB/T 79
- Pressure test as GB/T 26480

性能规范

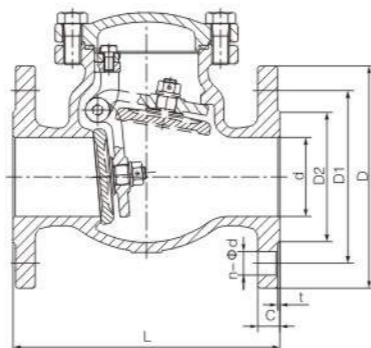
Specifications

- 公称压力：1.6、2.5、4.0、6.3Mpa
- 强度试验：2.4、3.8、6.0、9.5Mpa
- 密封试验：1.8、2.8、4.4、7.0Mpa
- 气密封试验：0.6Mpa
- 阀门主体材料：WCB(C)、CF8(P)、CF3(PL)、CF8M(R)、CF3M(RL)
- 适用介质：水、蒸汽、油品、硝酸类、醋酸类
- 适用温度：-29℃~425℃
- Nominal pressure: 1.6, 2.5, 4.0, 6.3Mpa
- Strength test: 2.4, 3.8, 6.0, 9.5Mpa
- Seal test: 1.8, 2.8, 4.4, 7.0Mpa
- Gas seal test: 0.6Mpa
- Valve body material: WCB(C), CF8(P), CF3(PL), CF8M(R), CF3M(RL)
- Suitable medium: water, steam, oil products, nitric acid, acetic acid
- Suitable temperature: -29℃~425℃

美标、日标止回阀

ANSI, JIS Check Valves

- 材质: 不锈钢、碳钢、高温钢、双相钢、特殊钢、钛、镍、锆等
- 国际标准 +



主要尺寸及重量

Main size and weight

Class150								
Size	d	D	D1	D2	t	C	n-φb	L
DN15	18	90	60.3	34.9	1.6	10	4-φ16	108
DN20	20	100	69.9	42.9	1.6	11	4-φ16	117
DN25	25	110	79.4	50.8	1.6	12	4-φ16	127
DN32	32	115	88.9	63.5	1.6	13	4-φ16	140
DN40	38	125	98.4	73	1.6	15	4-φ16	165
DN50	50	150	120.7	92.1	1.6	16	4-φ19	203
DN65	64	180	139.7	104.8	1.6	18	4-φ19	216
DN80	76	190	152.4	127	1.6	19	4-φ19	241
DN100	100	230	190.5	157.2	1.6	24	8-φ19	292
DN125	125	255	215.9	185.7	1.6	24	8-φ22	330
DN150	150	280	241.3	215.9	1.6	26	8-φ22	356
DN200	200	345	298.5	269.9	1.6	29	8-φ22	495
DN250	250	405	362	323.8	1.6	31	12-φ25	622
DN300	300	485	431.8	381	1.6	32	12-φ25	698

10K								
Size	d	D	D1	D2	t	C	n-φb	L
DN15	15	95	70	52	1	12	4-φ15	108
DN20	20	100	75	58	1	14	4-φ15	117
DN25	25	125	90	70	1	14	4-φ19	127
DN32	32	135	100	80	2	16	4-φ19	140
DN40	38	140	105	85	2	16	4-φ19	165
DN50	50	155	120	100	2	16	4-φ19	203
DN65	64	175	140	120	2	18	4-φ19	216
DN80	76	185	150	130	2	18	8-φ19	241
DN100	100	210	175	155	2	18	8-φ19	292
DN125	125	250	210	185	2	20	8-φ23	330
DN150	150	280	240	215	2	22	8-φ23	356
DN200	200	330	290	265	2	22	12-φ23	495
DN250	250	400	355	325	2	24	12-φ25	622
DN300	300	445	400	370	2	24	16-φ25	698
DN350	350	490	445	415	2	26	16-φ25	787
DN400	400	560	510	475	2	28	16-φ27	864

设计制造标准

Design & Manufacture Standard

- 设计与制造按API 6D、BS 1868、ASME B16.34
- 结构长度按ASME B16.10、API 6D
- 法兰连接尺寸按ASME B16.5、ASME B16.47 JIS B2220
- 检验和测试按ISO 5208、API 598、BS 6755
- Design & Manufacture as Per: API 6D、BS 1868、ASME B16.34
- Face to face dimension as per: ASME B16.10、API 6D
- Connection ends dimension as per: ASME B16.5、ASME B16.47、JIS B2220
- Inspection and test as per: ISO 5208、API 598、BS 6755

性能规范

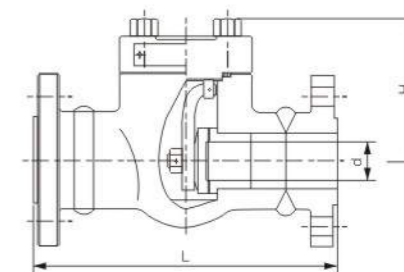
Specifications

- 公称压力: 150, 300LB, 10K, 20K
- 强度试验: PT3.0, 7.5, 2.4, 5.8Mpa
- 密封试验: 2.2, 5.5, 1.5, 4.0Mpa
- 气密封试验: 0.6Mpa
- 阀门主体材料: WCB(C), CF8(P), CF3(PL), CF8M(R), CF3M(RL)
- 适用介质: 水、蒸汽、油品、硝酸类、醋酸类
- 适用温度: -29℃ ~ 425℃
- Nominal pressure: 150, 300LB, 10K, 20K
- Strength test: PT3.0, 7.5, 2.4, 5.8Mpa
- Seal test: 2.2, 5.5, 1.5, 4.0Mpa
- Gas seal test: 0.6Mpa
- Valve body material: WCB(C), CF8(P), CF3(PL), CF8M(R), CF3M(RL)
- Suitable medium: water, steam, oil products, nitric acid, acetic acid
- Suitable temperature: -29℃ ~ 425℃

美标锻钢止回阀

ANSI Forged Check Valve

- 材质: 不锈钢、碳钢、高温钢、双相钢、特殊钢、钛、镍、锆等
- 国际标准 +



主要尺寸及重量

Main size and weight

H44H(Y)		Class150~600									
Size	压力等级 Class	L(mm)	WT(kg) 升降式Lifting type		WT(kg) 旋启式Swing type		WT(kg) 升降式Lifting type		WT(kg) 旋启式Swing type		
			缩径 RB	全径 FB	缩径 RB	全径 FB	缩径 RB	全径 FB	缩径 RB	全径 FB	
1/2	15	150	108					2.6	3.4	2.5	3.3
		300	152	61	61	61	61	2.7	3.7	2.6	3.6
		600	165					3.0	4.0	2.9	4.3
3/4	20	150	117					3.4	4.4	3.3	4.8
		300	178	61	78	61	78	3.7	4.7	3.6	5.1
		600	190					4.0	5.8	4.3	6.2
1	25	150	127					4.4	8.2	4.8	7.0
		300	203	78	84	78	84	4.7	8.8	5.1	7.4
		600	216					5.8	9.5	6.2	7.7
1 1/4	32	150	140					8.2	8.9	7.0	7.5
		300	216	84	103	84	101	8.8	9.6	7.4	7.9
		600	229					9.5	10.1	7.7	9.3
1 1/2	40	150	165					8.9	1.0	7.5	11.3
		300	229	108	118	101	120	9.6	13.7	7.9	11.7
		600	241					10.1	15.6	9.3	13.2
2	50	150	203					12.6	14.3	11.3	13.6
		300	267	118	132	120	133	13.7	17.8	11.7	16.8
		600	292					15.6	24.6	13.2	20.5

设计制造标准

Design & Manufacture Standard

- 设计制造按BS 5352、ASME B16.34
- 连接尺寸按ASME B16.11
- 检验和测试按API 598
- Design & Manufacture as per BS 5352、ASME B16.34
- Connection ends dimension as per ASME B16.11
- Inspection and test as per API 598

性能规范

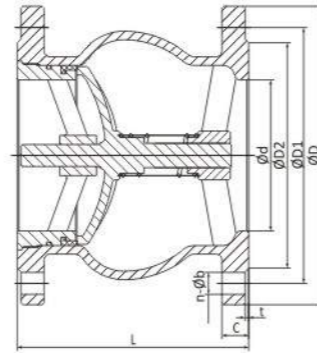
Specifications

- 公称压力: 150~1500LB
- 强度试验: 1.5XPN Mpa
- 密封试验: 1.1XPN Mpa
- 气密封试验: 0.6Mpa
- 阀门主体材料: A105(C), F304(P), F304(PL), F316(R), F316L(RL)
- 适用介质: 水、蒸汽、油品、硝酸类、醋酸类
- 适用温度: -29℃ ~ 425℃
- Nominal pressure: 150~1500LB
- Strength test: 1.5XPN Mpa
- Seal test: 1.1XPN Mpa
- Gas seal test: 0.6Mpa
- Valve body material: A105(C), F304(P), F304(PL), F316(R), F316L(RL)
- Suitable medium: water, steam, oil products, nitric acid, acetic acid
- Suitable temperature: -29℃ ~ 425℃

消声止回阀

Silent Check Valves

- 材质: 不锈钢、碳钢、高温钢、双相钢、特殊钢、钛、镍、锆等
- 国际标准 +



主要尺寸及重量 Main size and weight

国标PN16									
DN	L	d	D	D1	D2	C	f	n-Φb	
50	120	50	160	125	100	16	3	4-Φ18	
65	130	63	180	145	120	18	3	4-Φ18	
80	150	80	195	160	135	20	3	8-Φ18	
100	165	100	215	180	155	20	3	8-Φ18	
125	190	124	245	210	165	22	3	8-Φ18	
150	210	148	285	240	212	22	2	8-Φ22	
200	255	198	340	295	268	24	2	12-Φ22	
250	310	240	405	355	320	26	2	12-Φ26	
300	320	297	460	410	378	28	2	12-Φ26	

美标150LB									
SIZE	L	d	D	D1	D2	C	f	n-Φb	
2"	120	50	150	120.7	92.1	16.3	2	4-Φ19	
2 1/2"	130	63	180	139.7	104.8	17.9	2	4-Φ19	
3"	150	80	190	152.4	127	19.5	2	4-Φ19	
4"	165	100	230	190.5	157.2	24.3	2	8-Φ19	
5"	190	124	255	215.9	185.7	24.3	2	8-Φ22.5	
6"	210	148	280	241.3	215.9	25.9	2	8-Φ22	
8"	255	198	345	298.5	269.9	29.0	2	8-Φ22	
10"	310	248	405	362	323.8	30.6	2	12-Φ25	
12"	320	297	485	431.8	381	32.2	2	12-Φ25	

日标10k									
SIZE	L	d	D	D1	D2	C	f	n-Φb	
DN50	120	50	155	120	96	16	2	4-Φ19	
DN65	130	63	175	140	116	18	2	4-Φ19	
DN80	150	80	185	150	126	18	2	8-Φ19	
DN100	165	100	210	175	151	18	2	8-Φ19	
DN125	190	124	250	210	182	20	2	8-Φ23	
DN150	210	148	280	240	212	22	2	8-Φ23	
DN200	255	198	330	290	262	22	2	12-Φ23	
DN250	310	248	400	355	324	24	2	12-Φ25	
DN300	320	297	445	400	368	24	3	16-Φ25	

设计制造标准 Design & Manufacture Standard

- 设计与制造按 GB/T 12235、ASME B16.34、JIS B2074
- 法兰连接尺寸按 JB/T 79、HG/T 20592、ASME B16.5、JIS B2220
- 检验和测试按 GB/T 26480、API 598、JIS B2003
- Design & Manufacture as Per: GB/T 12235、ASME B16.34、JIS B2074
- Connection ends dimension as per: JB/T 79、HG/T 20592、ASME B16.5、JIS B2220
- Inspection and test as per: GB/T 26480、API 598、JIS B2003

性能规范 Specifications

- 公称压力: PN10, PN16, 150LB, 10K
- 强度试验压力: PT1.5, 2.4, 3.0, 2.4Mpa
- 高压密封试验压力: 1.1, 1.8, 2.2, 1.5Mpa
- 适用介质: 水及弱腐蚀性介质
- 适用温度: 0~80°C
- Nominal pressure: PN10, PN16, 150LB, 10K
- Strength testing pressure: PT1.5, 2.4, 3.0, 2.4Mpa
- Seal testing pressure(high pressure): 1.1, 1.8, 2.2, 1.5Mpa
- Applicable media: water and corrosive medium
- Applicable temperature: 0~80°C

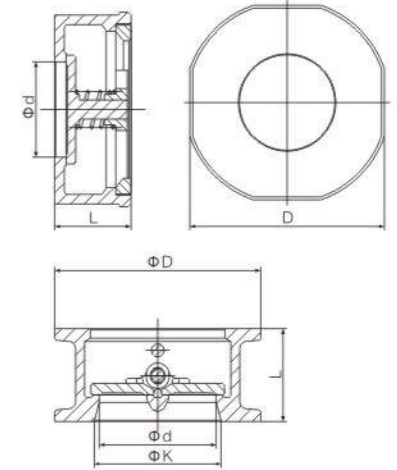
对夹式止回阀

Wafer Type Check Valve

- 材质: 不锈钢、碳钢、高温钢、双相钢、特殊钢、钛、镍、锆等
- 国际标准 +



H71对夹式止回阀 H76蝶形对夹式止回阀 H74单瓣对夹止回阀



主要零件材料 Materials of main parts

材料名称 Material Name	H ₇₁ H-(16-64)C	H ₇₆ W-(16-64)P	H ₇₄ W-(16-64)R
阀体 Body	WCB	ZG1Cr18Ni9Ti CF8	ZG1Cr18Ni12Mo2Ti CF8M
阀瓣 Disc	ZG1Cr18Ni9Ti CF8	ZG1Cr18Ni9Ti CF8	ZG1Cr18Ni12Mo2Ti CF8M
密封 Sealing	304,316,PTFE		

H71主要外形尺寸 Main outer size(H71)

公称通径	d	D	L	
15	1/2"	15	46	17.5
20	3/4"	20	56	20
25	1"	25	65	23
32	1 1/4"	32	74	28
40	1 1/2"	40	84	31.5
50	2"	50	102	40
65	2 1/2"	65	121	46
80	3"	80	131	50
100	4"	100	156	60
125	5"	125	190	90
150	6"	150	220	105
200	8"	196	270	140
250	10"	246	328	146

H76主要外形尺寸 Main outer size(H76)

公称通径	L	d	K	D	
50	2"	60	48	50	108
65	2 1/2"	67	59	65	128
80	3"	73	73	80	142
100	4"	73	92	100	162
125	5"	86	115	125	192
150	6"	98	138	150	218
200	8"	127	186	200	272
250	10"	146	234	250	330
300	12"	181	270	300	375
350	14"	184	315	350	420
400	16"	191	365	400	483
450	18"	203	415	450	538
500	20"	219	465	500	593
600	24"	222	565	600	697

性能规范 Specifications

- 公称压力: PN1.6, 2.5, 4.0, 6.4MPa
- 强度试验压力: PT2.4, 3.8, 6.0, 9.6MPa
- 高压密封试验压力: 1.8, 2.8, 4.4, 7.1MPa
- 适用介质: H₇₁H-(16-64)C 水、油品、气
- 适用温度: -29~150°C
- 适用介质: H₇₆W-(16-64)P 硝酸类
H₇₆W-(16-64)R 醋酸类
- Nominal pressure: PN1.6, 2.5, 4.0, 6.4Mpa
- Strength testing pressure: PT2.4, 3.8, 6.0, 9.6MPa
- Seat testing pressure(high pressure): 1.8, 2.8, 4.4, 7.1MPa
- Applicable media: H₇₁H-(16-64)C Water, Oil, Gas
- Applicable temperature: -29~150°C
- Applicable media: H₇₆W-(16-64)P Nitric acid
H₇₆W-(16-64)R Acetic acid